

U.S. PATENTS 10041558,
10021779, 10704639,
10704639, D842351

DIMENSION AND WEIGHT (MASS) TABLE

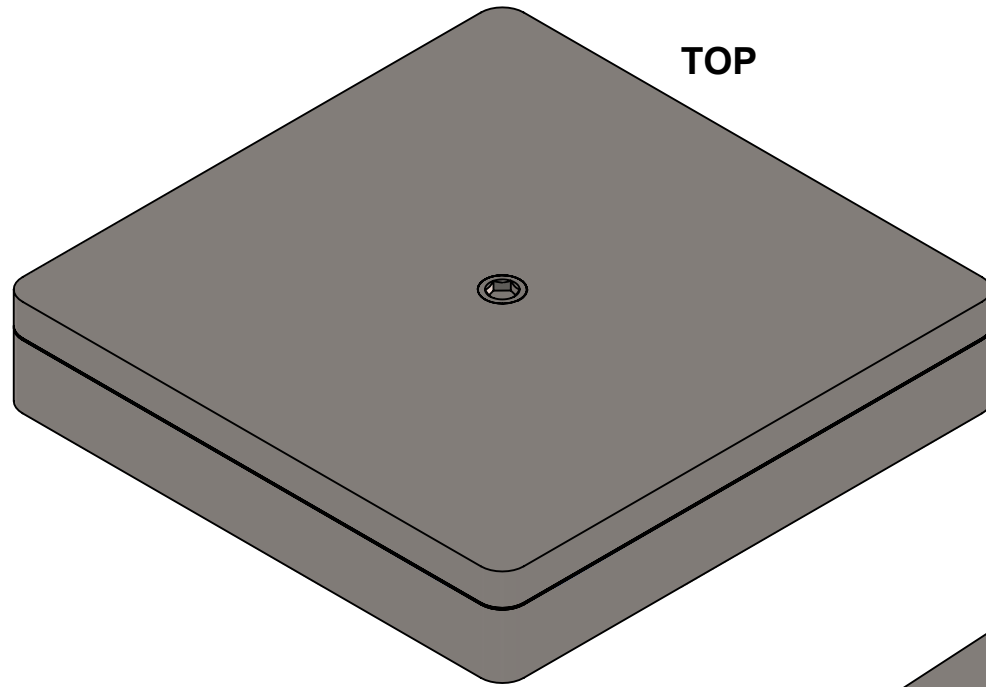
H HEIGHT ±10%	PCB MASS NOM	TUNGSTEN BALLS IN CAVITY				Est. PID MASS	SCREW ADJUST	SCREW HEX HEAD
		∅ DIA	Per Ball	QTY	MASS			
7.5mm	150g	2.5mm	0.143g	~105	15g	~30g	6-32	1/16"

NOTES: (Unless Otherwise Specified).

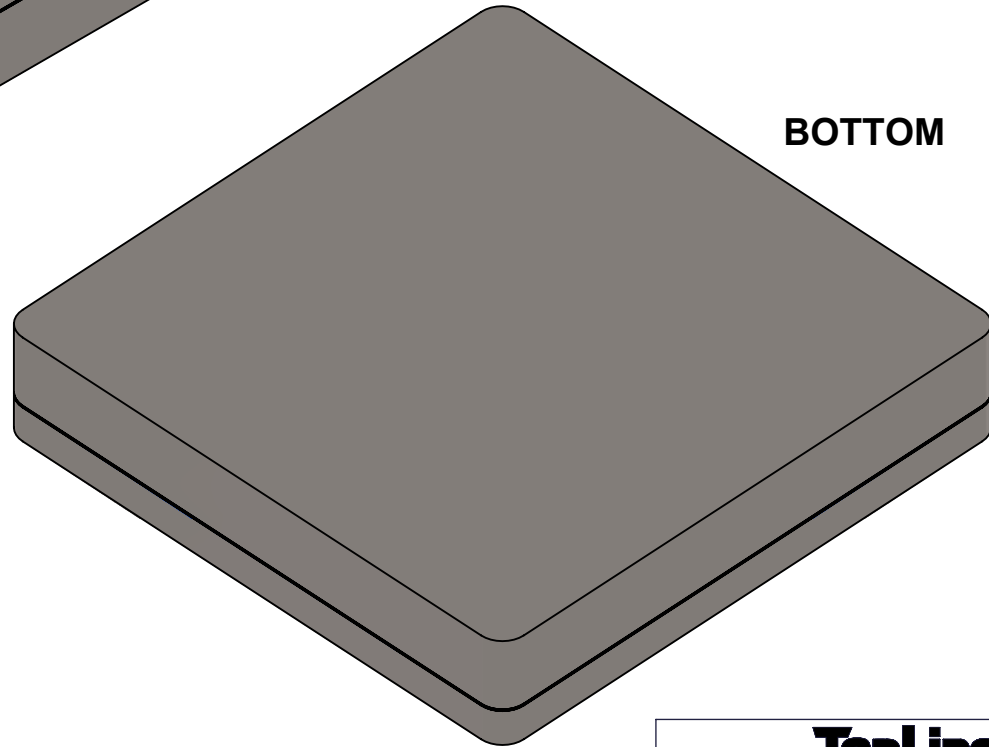
1. DIMENSIONS: MM.
2. MOUNTING: Glue or Adhesive.
3. Alternative mounting screws. See DWG 120158

APPROVALS	DATE				
DRAWN T. Au	5/31/2023				
ENG M. Hart	5/31/2023	TITLE FA15SQ37.5x7.5A PID VIBRATION DAMPER			
MFG		SCALE	SIZE	DRAWING NO.	REV
QA		1:1	A	130158	A
CUST		DO NOT SCALE DRAWING			SHEET 1 OF 3
REVISED					

MODEL



TOP



BOTTOM

NOTES:

1. CONTACT TOPLINE FOR OTHER MOUNTING OPTIONS.

TopLine[®]

TITLE FA15SQ37.5x7.5A
PID VIBRATION DAMPER

SCALE 3:2	SIZE A	DRAWING NO. 130158	REV A
--------------	-----------	-----------------------	----------

DO NOT SCALE DRAWING

SHEET 2 OF 3

<u>F</u>	<u>A</u>	<u>15</u>	<u>SQ</u>	<u>37.5x</u>	<u>7.5</u>	<u>A</u>
Series	Mounting on PCB	Tungsten Payload Grams	Exterior Shape	XY Size	Height	Version/Option
<u>Filled</u>	<u>Mounting Style</u>	<u>Code Grams</u>	<u>Code Shape</u>	<u>Code Size</u>	<u>Code Height</u>	<u>Code Version</u>
F = FR4	A = ADHESIVE GLUE S = SCREW MOUNT	15 = 15gm Other Mass Available	SQ Square R Rectangle C Cylindrical T Toroid Z Custom	37.5X = 37.5mm SQ Other Sizes Available	7.5 = 7.5mm Other Sizes Available	A = STANDARD Other Version Available

Order Number

<u>1</u>	<u>3</u>	<u>015</u>	<u>8</u>
DESCRIPTION	Mount Style	Mass (gm) 9 = Decimal	Option Code
<u>Code</u> <u>Description</u>	<u>Code</u> <u>Description</u>	<u>Code</u> <u>MASS</u>	<u>Code</u> <u>Option</u>
1 = Filled PID	2 = Screw 3 = Adhesive 9 = Custom 0 = Master DWG	015 = 15 gm	8 = VERSION A

TopLine®

TITLE FA15SQ37.5x7.5A
PID VIBRATION DAMPER

SCALE NONE	SIZE A	DRAWING NO. 130158	REV A
---------------	-----------	-----------------------	----------

DO NOT SCALE DRAWING

SHEET 3 OF 3