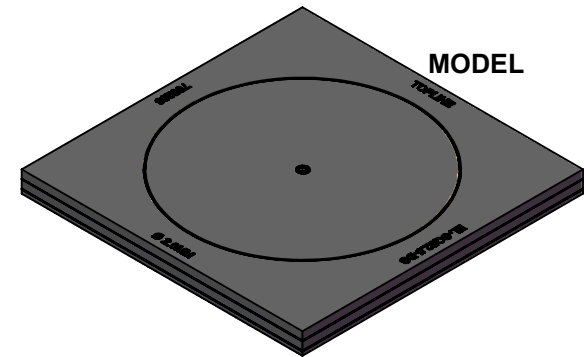


**DIMENSION AND WEIGHT (MASS) TABLE**

H HEIGHT ±1.0mm	PCB MASS NOM	TUNGSTEN BALLS IN CAVITY				Total PID MASS	SCREW ADJUST	SCREW HEX HEAD
		∅ DIA	Per Ball	QTY	MASS			
5.0mm	250g	2.3mm	0.10g	250	25g	45g	6-32	7/64
7.5mm	300g	2.5mm	0.14g	210	30g	62g	6-32	7/64
8.0mm	340g	3.0mm	0.24g	140	34g	68g	8-32	9/64
9.0mm	450g	4.0mm	0.58g	80	45g	90g	10-32	5/32
13.0mm	570g	5.0mm	1.14g	50	57g	120g	1/4-28	3/16



**U.S. PATENT 9,521,753 B1  
OTHER PATENTS PENDING**

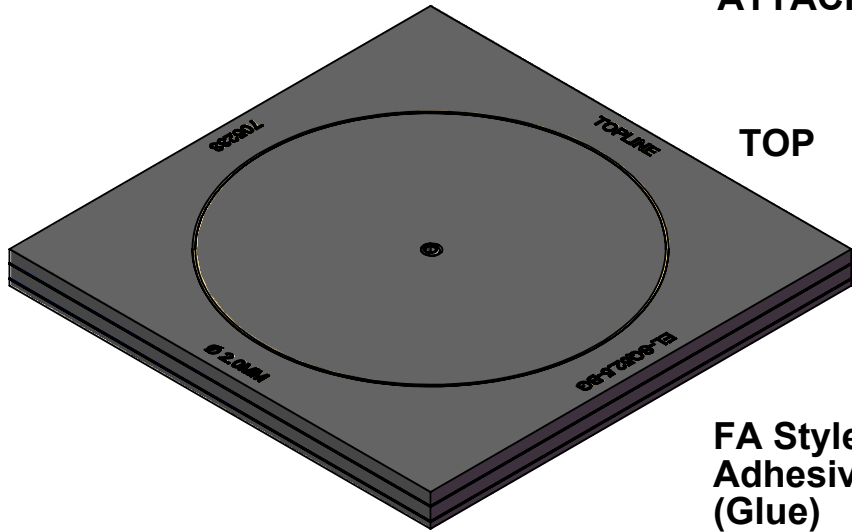
NOTES: (Unless Otherwise Specified).  
1. DIMENSIONS IN mm.

NOTE 2: SELECT MOUNTING STYLE  
2 = SCREW (FS)  
3 = ADHESIVE (FA)  
9 = CUSTOM

APPLICATION NOTES:  
Contact TopLine for help to select  
the best PID for your application.

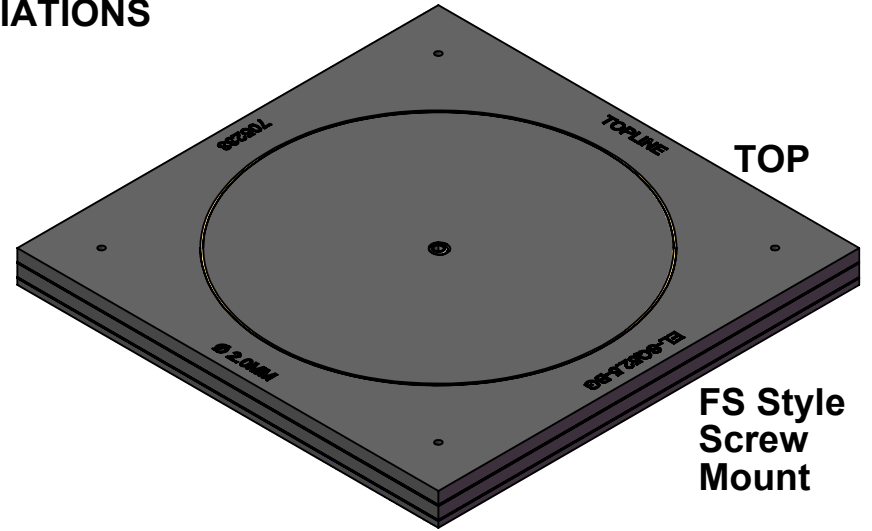
APPROVALS	DATE	<b>TopLine®</b>			
DRAWN T. Au	2/18/2019				
ENG M. Hart	2/18/2019	TITLE EL-SQ52.5-BG PID VIBRATION DAMPER			
MFG		SCALE 3:1	SIZE A	DRAWING NO. 705233	REV A
QA					
CUST		DO NOT SCALE DRAWING			SHEET 1 OF 3
REVISED					

## MODELS ATTACHMENT VARIATIONS



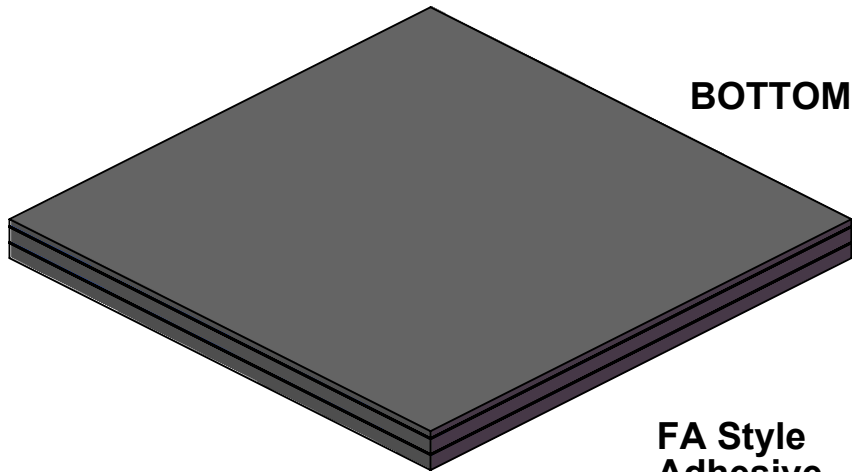
**TOP**

**FA Style  
Adhesive  
(Glue)**



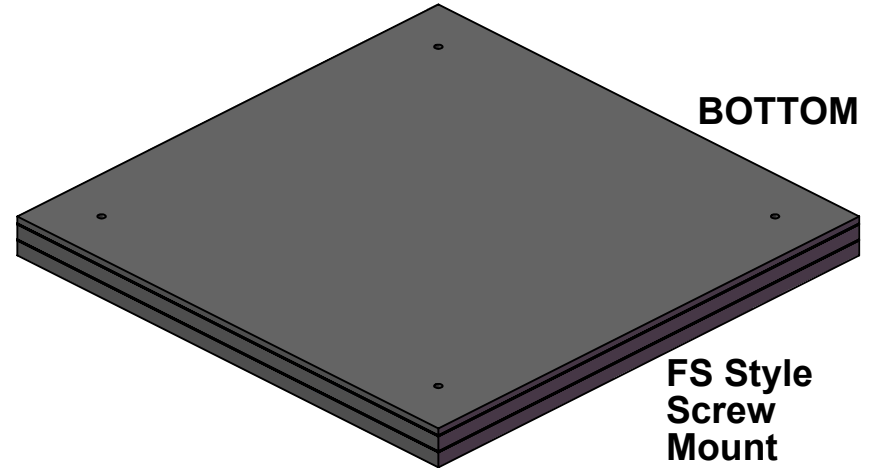
**TOP**

**FS Style  
Screw  
Mount**



**BOTTOM**

**FA Style  
Adhesive  
(Glue)**



**BOTTOM**

**FS Style  
Screw  
Mount**

**NOTES:**

1. FA (ADHESIVE) AND FS (SCREW) HAVE BARE BOTTOM.
2. CONTACT TOPLINE FOR OTHER MOUNTING OPTIONS.

**TopLine®**

TITLE      EL-SQ52.5-BG  
PID VIBRATION DAMPER

SCALE 3:1	SIZE A	DRAWING NO. 705233	REV A
--------------	-----------	-----------------------	----------

DO NOT SCALE DRAWING

SHEET 2 OF 3

## Part Number System

<u>F</u>	<u>A</u>	<u>30</u>	<u>SQ</u>	<u>52.5x</u>	<u>7.5</u>	<u>A</u>
Series	Mounting on PCB	Tungsten Payload Grams	Exterior Shape	X/Y Size	Height	Version/Option
<b><u>Filled</u></b>  F = FR4 Single Layer	<b><u>Mounting Style</u></b>  A = Adhesive  S = SCREW Fastener	<u>Code</u> <u>Grams</u> 25 = 25gm 30 = 30gm 33 = 33gm 45 = 45gm 57 = 57gm  Other Mass Available	<u>Code</u> <u>Shape</u> <b>SQ</b> Square <b>R</b> Rectangle <b>C</b> Cylindrical <b>T</b> Toroid <b>Z</b> Custom	<u>Code</u> <u>Size</u> 52.5x = 52.5mm SQ  Other Sizes Available	<u>Code</u> <u>Height</u> 5.0 5.0mm 7.5 7.5mm 8.0 8.0mm 9.0 9.0mm 13 13mm  Other Sizes Available	<u>Code</u> <u>Version</u> A Standard  Other Version Available
<b><u>Empty</u></b>  E = FR4 Case						

## Order Number

<u>1</u>	<u>3</u>	<u>030</u>	<u>1</u>
DESCRIPTION	Mount Style	Mass (gm)	Option Code
<u>Code</u> <u>Description</u>  1 = Filled PID 7 = Empty Pkg	<u>Code</u> <u>Description</u> 2 = Screw 3 = Adhesive 9 = Custom 0 = Master DWG	<u>Code</u> <u>MASS</u> 025 = 25 gm 030 = 30 gm 033 = 33 gm 045 = 45 gm 057 = 57 gm  <b>Blank</b> = Empty	<u>Code</u> <u>Option</u> 1 = Version A 2 = Version B 3 = Version C ... 9 = Version J



TITLE    EL-SQ52.5-BG PID VIBRATION DAMPER			
SCALE NONE	SIZE A	DRAWING NO. 705233	REV A
DO NOT SCALE DRAWING			SHEET 3 OF 3