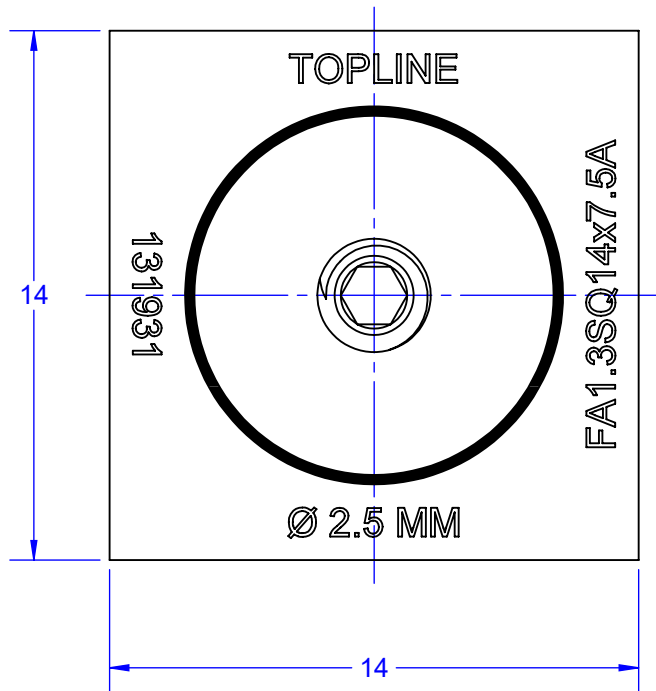
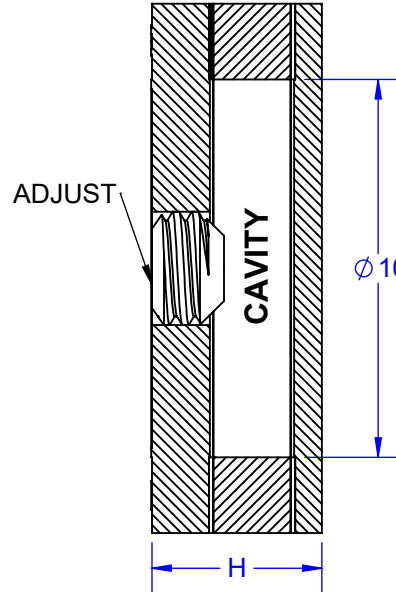


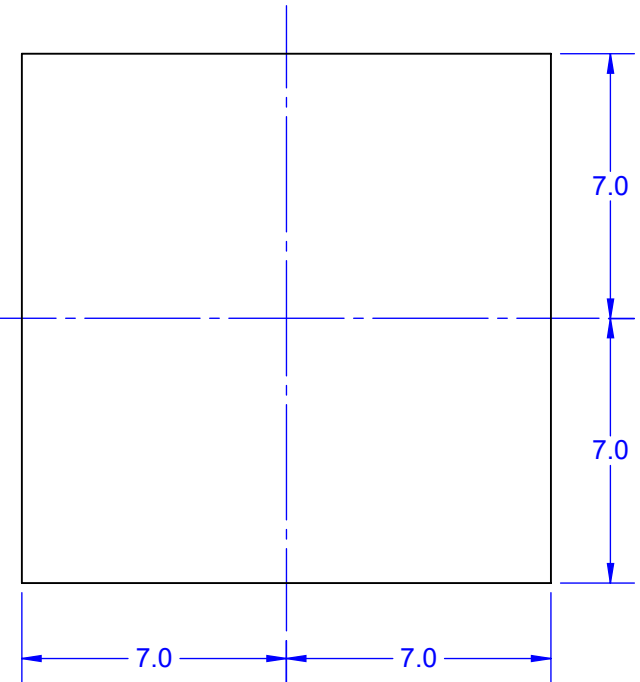
**TOP**



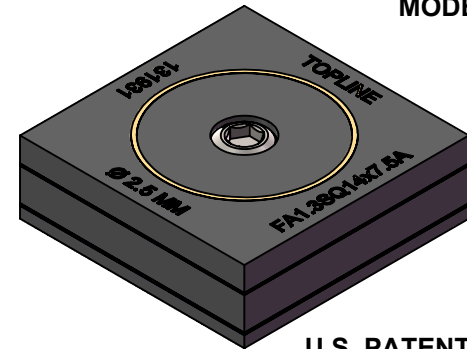
**SIDE**



**BOTTOM  
(NOTE 2)**



**MODEL**



**U.S. PATENTS 10041558,  
10021779, 10704639,  
10704639, D842351**

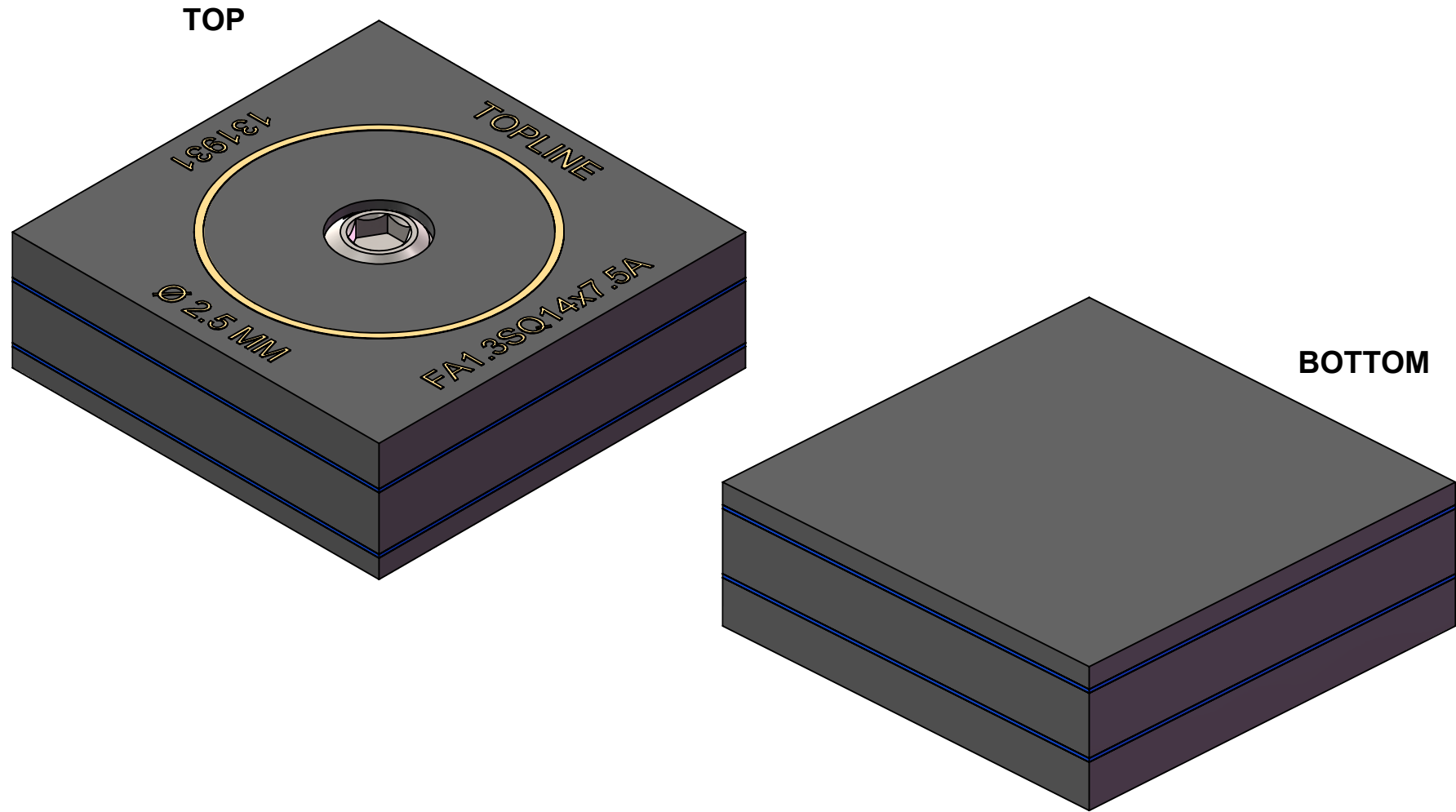
**DIMENSION AND WEIGHT (MASS) TABLE**

H HEIGHT MAX	PCB MASS NOM	TUNGSTEN BALLS IN CAVITY				Total PID MASS	SCREW ADJUST	SCREW HEX HEAD
		Ø DIA	Per Ball	QTY	MASS			
7.5mm	13g	2.5mm	0.143g	9~10	1.3g	~3.8g	6-32	1/16"

NOTES: (Unless Otherwise Specified).  
1. DIMENSIONS mm.  
2. MOUNTING ADHESIVE (GLUE).

APPROVALS	DATE	<b>TopLine®</b>			
DRAWN T.Au	12/3/2022				
ENG M. Hart	12/3/2022				
MFG		TITLE FA1.3SQ14x7.5A PID VIBRATION DAMPER			
QA		SCALE 4:1	SIZE A	DRAWING NO. 131931	REV A
CUST					
REVISED		DO NOT SCALE DRAWING			SHEET 1 OF 3

# MODEL



NOTES:  
1. CONTACT TOPLINE FOR OTHER MOUNTING OPTIONS.

<b>TopLine®</b>			
TITLE		FA1.3SQ14x7.5A PID VIBRATION DAMPER	
SCALE	SIZE	DRAWING NO.	REV
4:1	A	131931	A
DO NOT SCALE DRAWING			SHEET 2 OF 3

## Part Number System

<u>F</u>	<u>A</u>	<u>1.3</u>	<u>SQ</u>	<u>14x</u>	<u>7.5</u>	<u>A</u>
Series	Mounting on PCB	Tungsten Payload Grams	Exterior Shape	X/Y Size	Height	Version/Option
<b><u>Filled</u></b>  F = FR4	<b><u>Mounting Style</u></b>  S = SCREW MOUNT  A = ADHESIVE GLUE	<b><u>Code Grams</u></b>  1.3 = 1.3gm  Other Mass Available	<b><u>Code Shape</u></b>  SQ Square R Rectangle C Cylindrical T Toroid Z Custom	<b><u>Code Size</u></b>  14 = 14mm SQ  Other Sizes Available	<b><u>Code Height</u></b>  7.5 = 7.5mm  Other Sizes Available	<b><u>Code Version</u></b>  A = Version A  Other Version Available
<b><u>Empty</u></b>  E = FR4 Case						

## Order Number

<u>1</u>	<u>3</u>	<u>193</u>	<u>1</u>
DESCRIPTION	Mount Style	Mass (gm) 9 = Decimal	Option Code
<u>Code</u> <u>Description</u>	<u>Code</u> <u>Description</u>	<u>Code</u> <u>MASS</u>	<u>Code</u> <u>Option</u>
1 = Filled PID	2 = Screw 3 = Adhesive 9 = Custom 0 = Master DWG	193 = 1.3 gm	1 = Version A

<b>TopLine®</b>			
TITLE      FA1.3SQ14x7.5A PID VIBRATION DAMPER			
SCALE NONE	SIZE A	DRAWING NO. 131931	REV A
DO NOT SCALE DRAWING			SHEET 3 OF 3